

# PRODUCT INFORMATION PACKET

Model No: 5KCR49TN8058T  
Catalog No: C1274  
2 HP Aeration Fan Motor, 1 phase, 3600 RPM, 115/230 V, 145T Frame, TENV  
Aeration Fan Motors



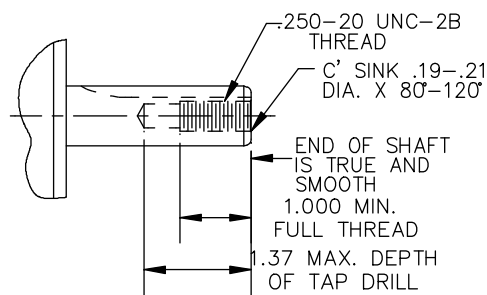
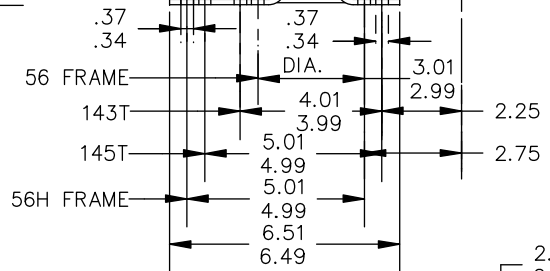
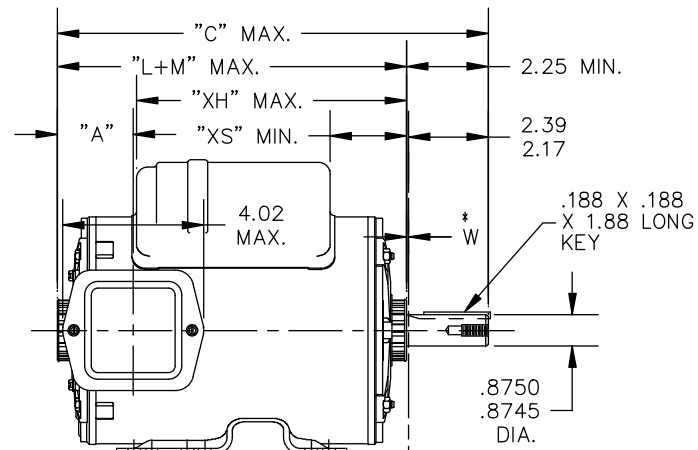
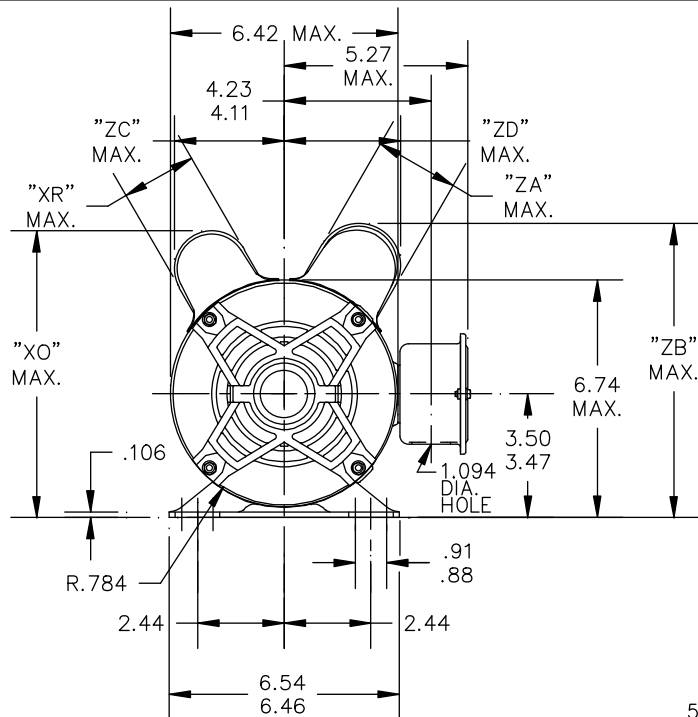
### Nameplate Specifications

Output HP	<b>2 Hp</b>	Output KW	<b>1.5 kW</b>
Frequency	<b>60 Hz</b>	Voltage	<b>115/230 V</b>
Current	<b>17.8,8.9 A</b>	Speed	<b>3450 rpm</b>
Service Factor	<b>1.15</b>	Phase	<b>1</b>
Efficiency	<b>83.3 %</b>	Power Factor	<b>0</b>
Duty	<b>Continuous</b>	Insulation Class	<b>B</b>
KVA Code	<b>G</b>	Frame	<b>145T</b>
Enclosure	<b>Totally Enclosed Non Ventilated</b>	Thermal Protection	<b>AUTO</b>
Ambient Temperature	<b>40 °C</b>	Drive End Bearing Size	<b>6205</b>
Opp Drive End Bearing Size	<b>6203</b>	UL	<b>Recognized</b>
CSA	<b>Yes</b>	CE	<b>N</b>

### Technical Specifications

Electrical Type	<b>Capacitor Start Capacitor Run</b>	Starting Method	<b>SM</b>
Poles	<b>2</b>	Rotation	<b>Counterclockwise/Clockwise</b>
Mounting	<b>Rigid Base</b>	Motor Orientation	<b>ANY</b>
Drive End Bearing	<b>BALL</b>	Opp Drive End Bearing	<b>Ball</b>
Frame Material	<b>Rolled Steel</b>	Overall Length	<b>12.28 in</b>
Frame Length	<b>7.68 in</b>	Shaft Diameter	<b>0.880 in</b>
Shaft Extension	<b>2.25 in</b>		
Connection Drawing	<b>52A105383BA</b>	Outline Drawing	<b>52A109620P2</b>

This is an uncontrolled document once printed or downloaded and is subject to change without notice. Date Created:03/11/2020



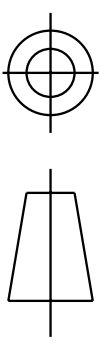
ENLARGED VIEW OF SHAFT EXTENSION

\*W IS A VARIABLE CLEARANCE DUE TO VARIATIONS IN PARTS AND ASSEMBLY

ALL DIMENSIONS ARE IN INCHES

2	KCR	49	143T 145T	12.28	10.01	8.19	8.16	2.10	2.57	2.40	8.39	3.14	3.33	2.18	7.68
1	KCR	49	143T 145T	13.69	11.32	8.28	8.16	2.10	2.59	2.72	8.78	3.14	3.43	2.93	8.99
P	TYPE	RBC SIZE	NEMA FR.	"C"	"L+M"	"XH"	"XO"	"XR"	"XS"	"ZA"	"ZB"	"ZC"	"ZD"	"A" MAX.	MIN. SHELL

				TOLERANCES UNLESS SPECIFIED		<b>REGAL-BELOIT CORPORATION</b>				DRAWN MK 05/13/94			
				DEC.	INCHES					CHK			
				.X	±0.1	TITLE				APPD M.A.M 05/13/94			
				.XX	±0.02					SCALE 1=1			
4	REDRAWN IN DRAFT SIGHT NO CHANGES	UD	10/18/12	PKG	.XXX	±0.005	OUTLINE TENV- WELDED BASE				REF		
3	TAPPING ADDED PER ISO9-1251	AT	04/03/09		.XXXX	±0.0005					MAT'L.		FMF
NO.	REVISION	BY & DATE	CHK	ANG	±1.0	FINISH	PREV						
THIS DRAWING IN DESIGN AND DETAIL IS OUR PROPERTY AND MUST NOT BE USED EXCEPT IN CONNECTION WITH OUR WORK ALL RIGHTS OF DESIGN AND INVENTION ARE RESERVED THIS IS AN ELECTRONICALLY GENERATED DOCUMENT - DO NOT SCALE THIS PRINT				RFP	CAD FILE			52A109620		SIZE	DRAWING NO.		REV.
				DIST				A	52A109620		4		



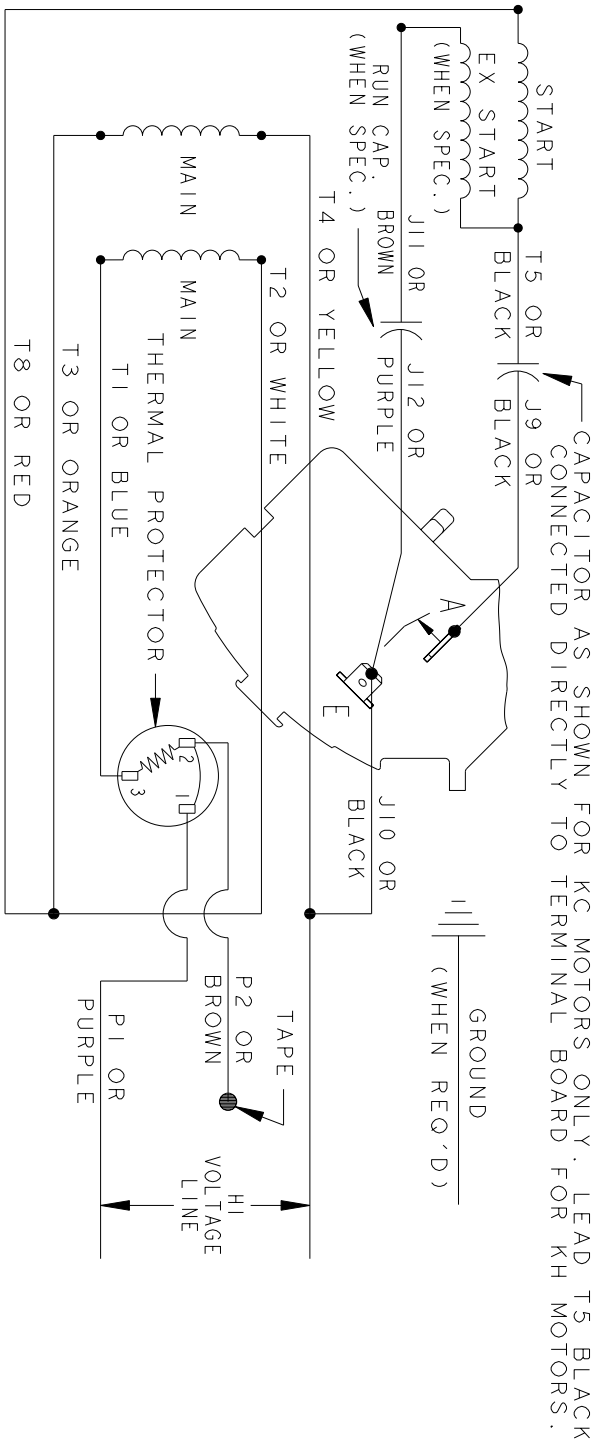
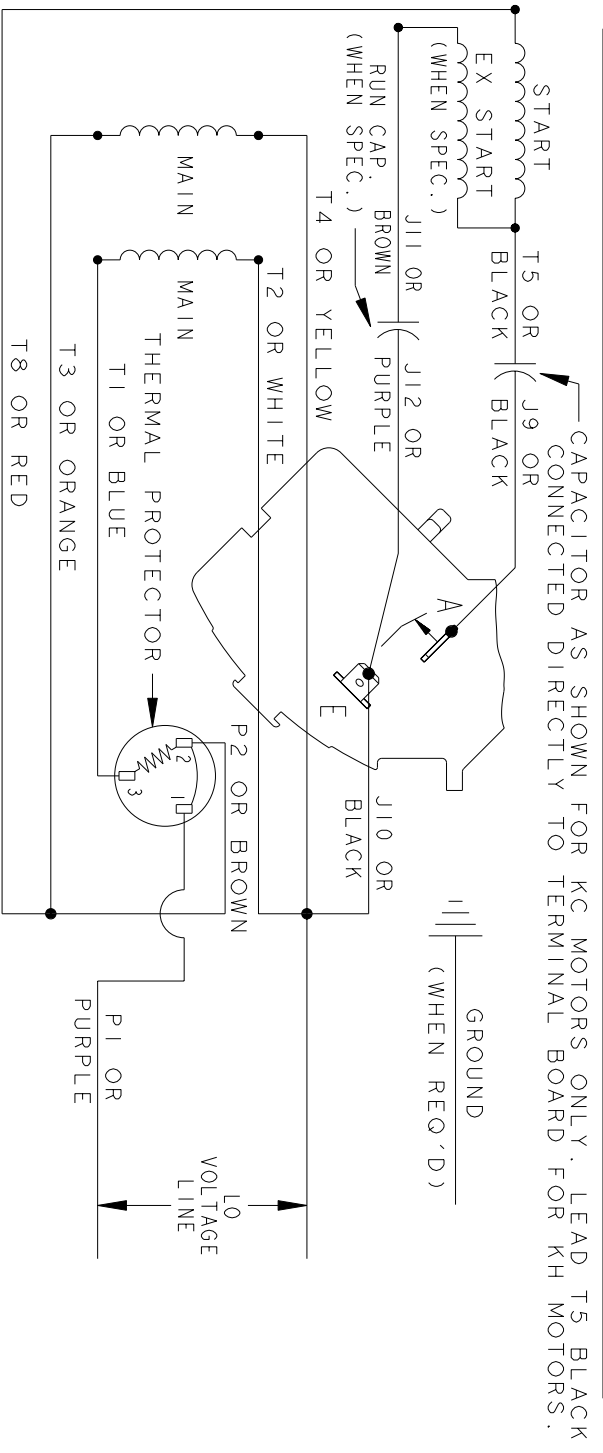
THIRD ANGLE PROJECTION

REVISIONS

REV.	DESCRIPTION	DATE	APPROVED
7	UPDATED FORMAT	01/05/06	MAM

REV 7

CCW/CW ROTATION - DUAL VOLTAGE  
 TYPE KC, KH OR KCR - WITH THERMAL PROTECTOR



NOTE#1 - TO REVERSE ROTATION, INTERCHANGE T8 RED AND J10 BLACK LEADS.  
 NOTE#2 - WHEN MORE THAN ONE CAPACITOR IS USED, CONNECT IN PARALLEL.  
 NOTE#3 - 115D958ABP5 - HIGH CURRENT CONTACTS.

SWITCH (C) - 115D958ABP5, SWITCH (H) - 115D958AA (USE 115D958DA FOR EP)

REF. DIAG. - 113A327, 119A9352 & 52A102102 CONNECTION LABEL - 52X332912

SIGNATURES		DATE	TITLE	
MODEL	M.D.P.	06/29/87	REGAL-BELOIT CORPORATION	
DETAIL			CONNECTION DIAGRAM	
CHECKED			FME: 30 FRAME SWITCH REDESIGN	
ENGRG			52A105383BA	
MFG			SCALE: 1.000	REF. No.:
QUALITY			SHEET 1 of 1	
ISSUED	M.D.P.	12/11/97	REV 7	
APPLIED PRACTICES				
DIMENSIONS ARE IN INCHES				
MATERIAL	SOLID MODEL: 52A105383BA			